



HERCULES MARITIME LIMITED

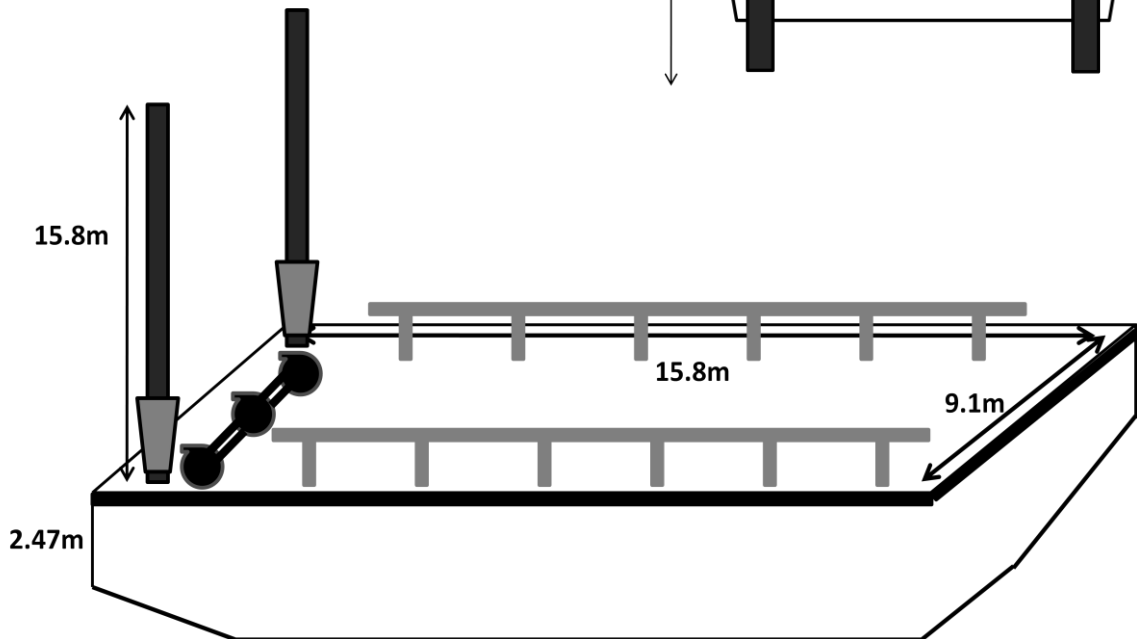
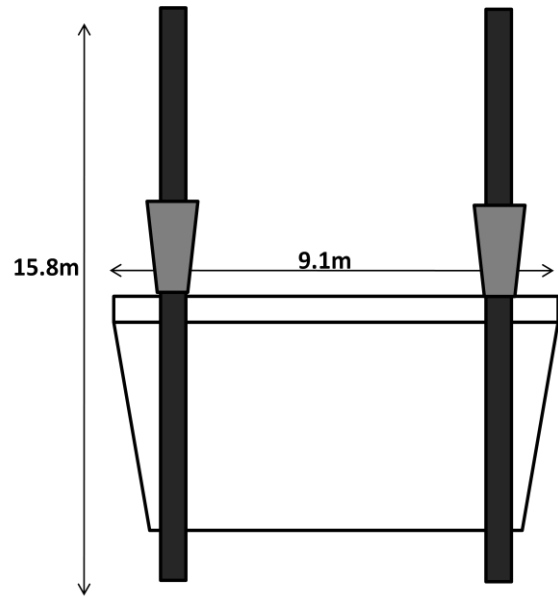
Warri, Nigeria

Boats, Offshore Supply Boats, Line Boats, Offshore Barges & Port Agents

Email: hercules_maritime@yahoo.com

Phone: 08023060135 or 08034005602

Name	Spud Mann
Year Rebuilt	2010
Type	Spud Barge with 2 self spud legs with two generators under deck.
Deck	Laid with Wood 75ft x 23ft (25m x 7.6m)



PRINCIPAL DIMENSIONS

Spuds Legs (2)	15.8m
Length	31.9m
Breadth	9.1m
Depth	2.47m
Gross Tonnage	210 tons

Notice: The data contained herein is provided for convenience of reference, to allow users to determine the suitability of the company's equipment. The data may vary from the current condition of equipment which can only be determined by physical inspection. The company has exercised due diligence to ensure that the data contained herein is reasonably accurate. However, the company does not warrant the accuracy or completeness of the data. In no event shall the company be liable for any damages whatsoever arising out of the use of the data contained herein.